

EzEddy specifications 2017

X-AXIS		
Travel distance	1000 mm	40 inch
Position accuracy	0.1 mm/m	0.004 inch/ foot
Encoder resolution	0.005 mm	0.0002 inch
Repeatability	0.02 mm	0.0008 inch
Backlash	0.04 mm	0.0016 inch
Velocity	40 mm/sec max	1.5 inch/sec
Acceleration	80 mm/sec ² max	3.0 inch/sec
Calibration switch repeatability	<0.01 mm	<0.0004 inch
Limit switches	both ends minus 12 mm	both ends minus 0.5"
Z-AXIS		
Travel distance	900 mm	36 inch
Motor	Micro Stepper with encoder feedback	
Position accuracy	0.1 mm/m	0.004 inch/ foot
Encoder resolution	0.01 mm	0.0004 inch
Repeatability	0.01 mm	0.0004 inch
Backlash	0.01 mm	0.0004 inch
Velocity	100 mm/sec max.	4.0 inch /sec
Acceleration	300 mm/sec ² max.	12.0 inch /sec
Calibration switch repeatability	<0.01 mm	<0.0004 inch
Limit switches	both ends	
Halogen inspection lights	built in	
B- AXIS (PROBE ANGULATION UNIT)		
Motor	Micro Stepper with gearbox 1:200	
Travel distance	270°	
Position accuracy	0.10°	
Resolution	0.02°	
Repeatability	0.01°	
Backlash	0.02°	
Velocity	45°/sec ²	
Acceleration	45°/sec ²	

Ronde Tocht 7F
 1507 CC Zaandam
 The Netherlands
 Kvk 34190949 Amsterdam
 Btw : NL1885.64.615.B.01
 Tel: +31(0)62481 3560
 Fax: +31(0)84711 0084
Info@vamsterdam.nl



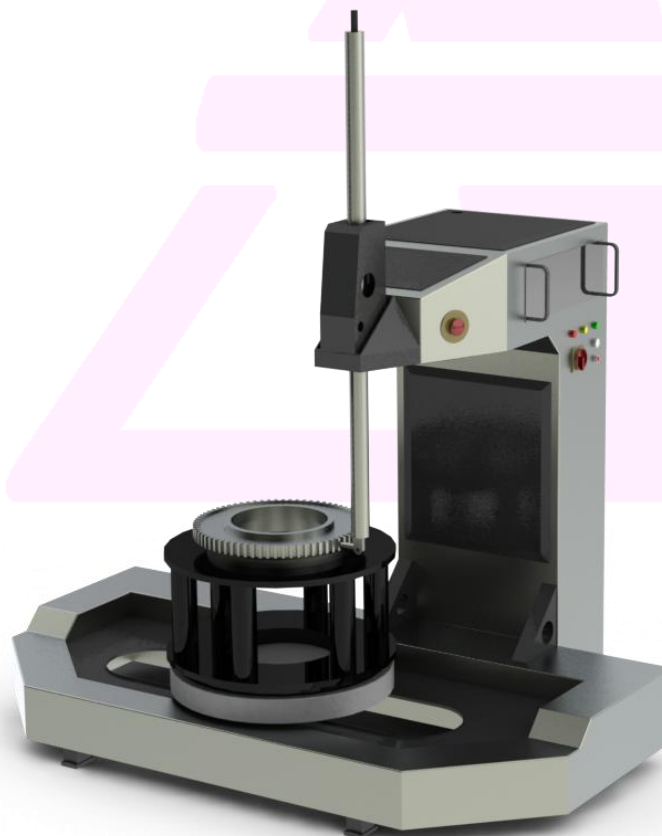
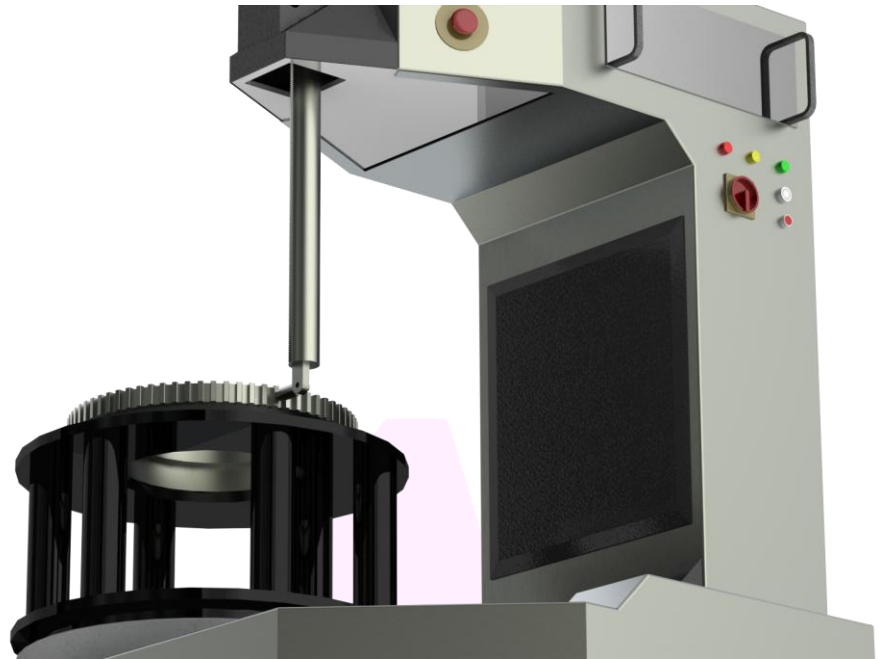
C-AXIS (TURNTABLE)		
Diameter	700 mm	27.5" diameter
Weight (excl. adapter)	120 kg	260 lbs
Max. axial load	350 kg (600kg optional)	770 lbs
Wobble (fixture)	0.03 mm	0.0012"
Concentricity (fixture)	0.03 mm	0.0012"
Parallelism to X- and Y- axis	0.2 mm/m	0.008" / foot
Perpendicular to Z- axis	0.01°	
Motor	Direct drive, 3 PH	
Speed max.	1 RPS	
Resolver resolution	614.400 p/rev	
Resolver accuracy	± 75 ARCsec	
Repeatability	0.005°	
Backlash	<0.002°	
R-AXIS (ROTOR - Slot and bolthole inspections)		
Motor	Micro Stepper with encoder feedback	
Travel distance	360° (slots) / N.A. (boltholes)	
Position accuracy	0.25°	
Resolution	0.1°	
Repeatability	0.1°	
Backlash	0.25°	
Velocity	9000°/sec ² (1500RPM)	
Acceleration	9000°/sec ²	
Weight (excl. adapter)	< 1 Kg	
ELECTRICAL POWER		
Nominal	2kW 1 PH 230V /50 Hz CE certified	
SYSTEM CONTROLLER		
Industrial 19" computer rack with Windows 7 operating system		
Intel Pentium i5 core duo 3GHz PC 4Gb RAM		
Hard disk 2 Tb		
Min. 24" LCD monitor, Laser colour printer		
Ethernet motion Controller board		
Data acquisition board for ET instrument		

Ronde Tocht 7F
1507 CC Zaandam
The Netherlands
Kvk 34190949 Amsterdam
Btw : NL1885.64.615.B.01

Tel:+31(0)62481 3560
Fax:+31(0)84711 0084
Info@vamsterdam.nl



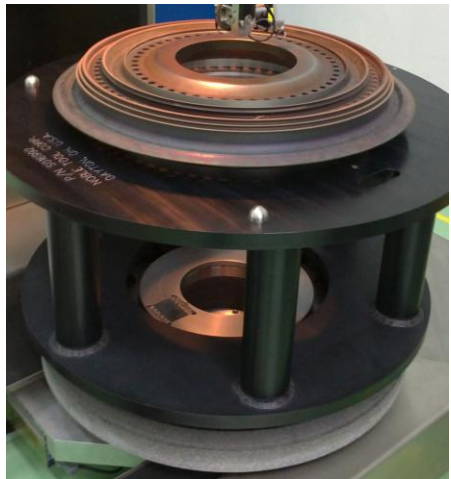
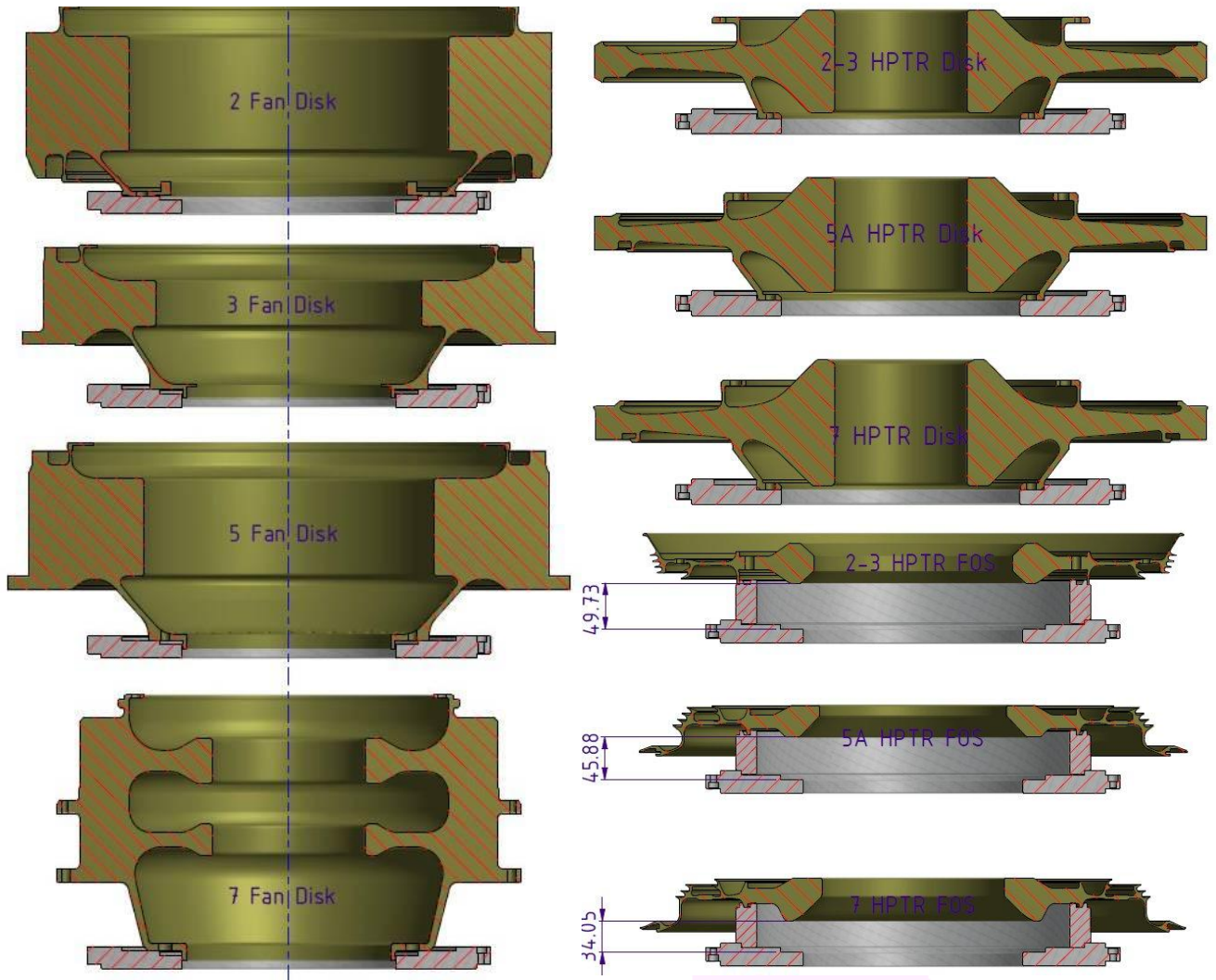
EzEddyV2



Ronde Tocht 7F
1507 CC Zaandam
The Netherlands
Kvk 34190949 Amsterdam
Btw : NL1885.64.615.B.01

Tel: +31(0)62481 3560
Fax: +31(0)84711 0084
Info@vamsterdam.nl

Part mounting EzEddy (CFM56)



Ronde Tocht 7F
1507 CC Zaandam
The Netherlands
Kvk 34190949 Amsterdam
Btw : NL1885.64.615.B.01

Tel: +31(0)62481 3560
Fax: +31(0)84711 0084
Info@vamsterdam.nl